

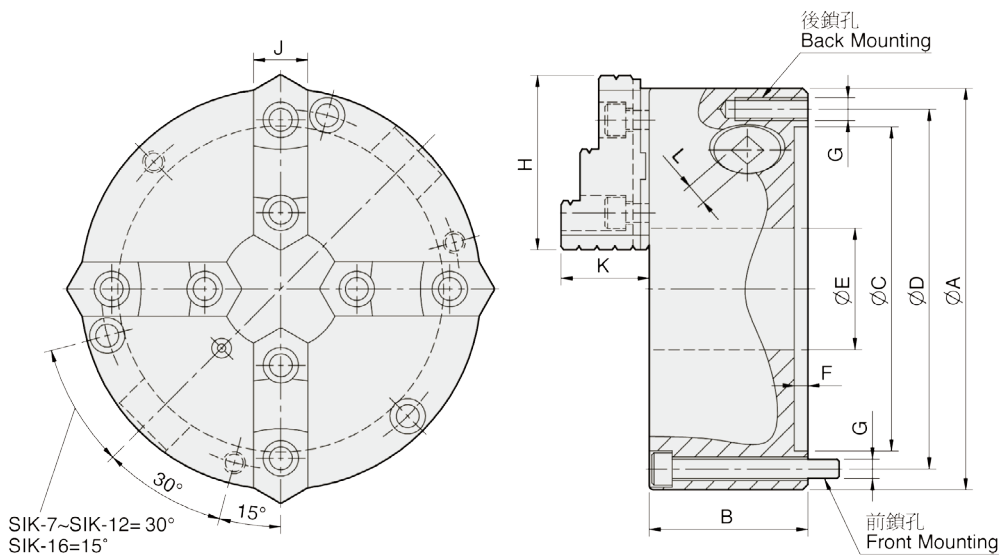


SIK

4-jaw strong scroll chuck plain back, 2-piece jaws (front and back mounted)

1. Hard jaws are adopted for square or octagonal thin tube workpieces machining.
2. Soft jaws could grip rectangular workpiece after being anisotropic machined.
3. The specification is the same as SK type.
4. The body is made of MEEHANITE. It is suitably used for high speed revolution and 3 times more durable than regular material.

Product schematic



UNIT : mm

SPEC Model	A	B	C	D	E	F	G Back / Front	H	J	K	L	Allowable Handle Torque (kgf · m)	Gripping Force (kgf)	Max. Speed (r.p.m.)	Weight (kg)	Moment Of Inertia I (kg · m ²)	Gripping Range O.D. Range / I.D. Range
SIK-7	192	76.5	155	172	58	5.5	3-M10 / 3-M10x80	82	28	42	11	11.0	2500	2000	14.1	0.06	Ø8-Ø180 / Ø62-Ø170
SIK-9	232	84	190	210	70	6	3-M12 / 3-M12x90	96	32	51.2	12	15.0	3000	2000	22.2	0.16	Ø11-Ø220 / Ø70-Ø210
SIK-12	310	96	260	285	105	7	3-M12 / 3-M12x110	114.5	40	56.8	14	21.0	4200	1800	45	0.58	Ø15-Ø300 / Ø90-Ø290
SIK-16	405	122	345	375	160	8.7	— / 6-M14x130	148.6	50	76.1	15	25.0	4500	1500	108	1.72	Ø30-Ø380 / Ø110-Ø360